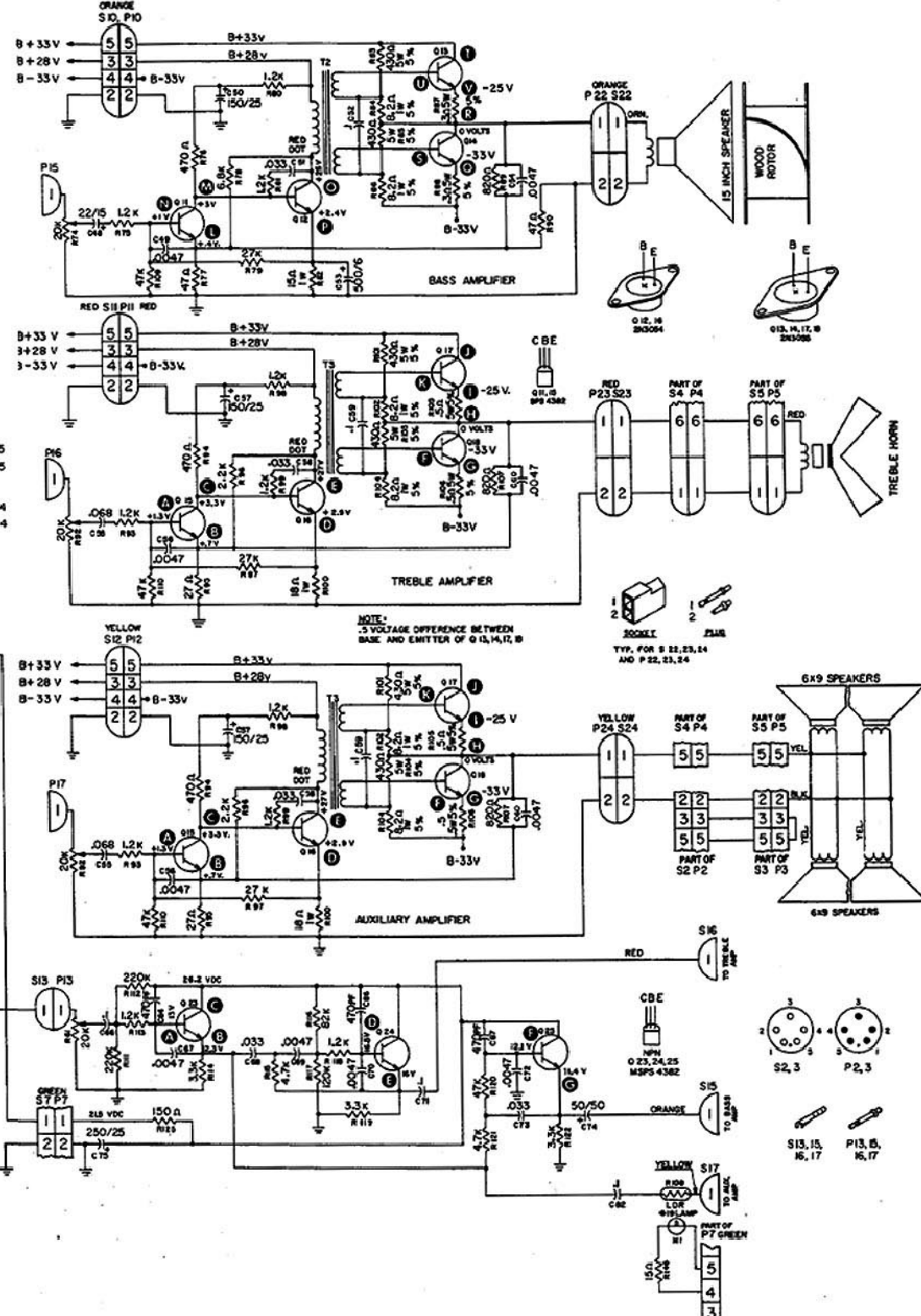
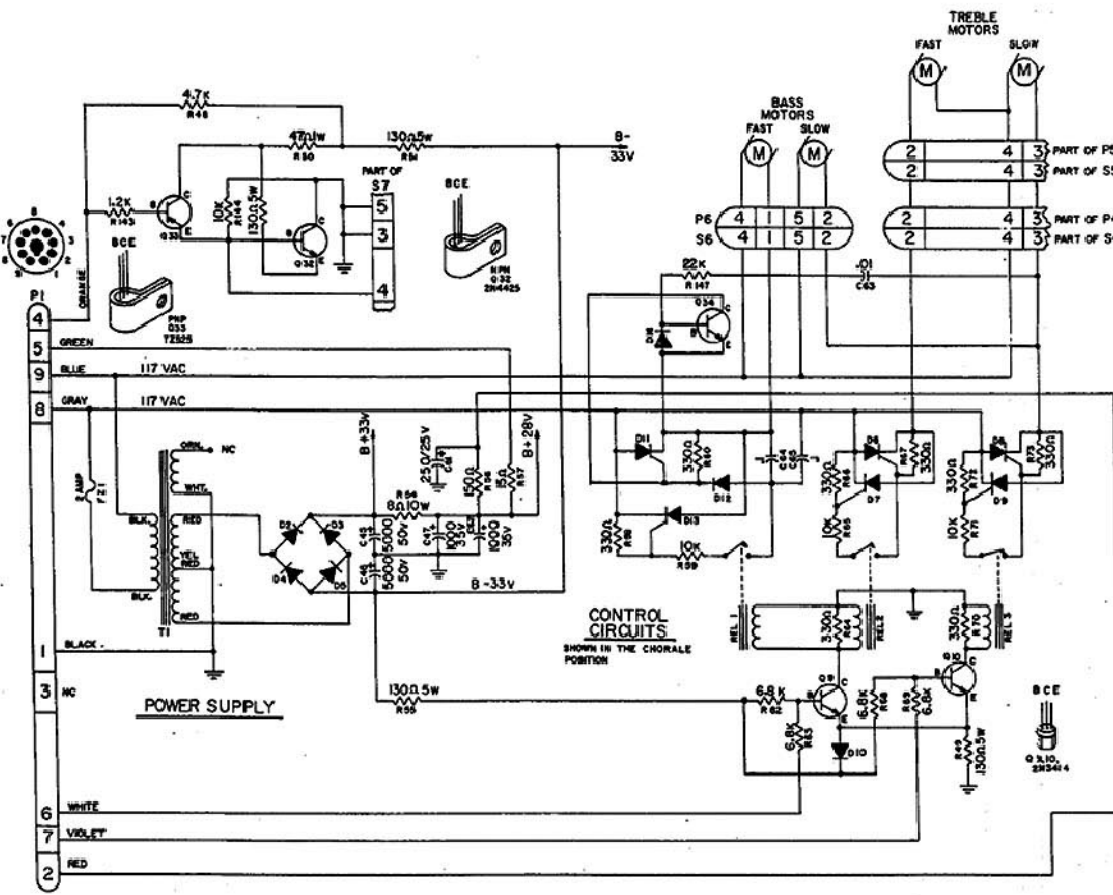
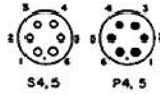
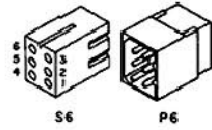


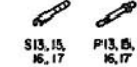
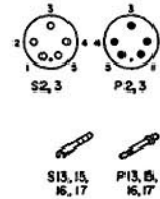
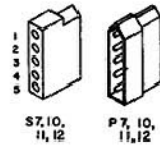
SCHEMATIC: LESLIE SPEAKER MODEL 925



TRANSISTOR VOLTAGES D.C.

NO.	OFF					MED.					FULL				
	E	B	C	E	B	C	E	B	C	E	B	C	E	B	C
Q8	0	0	0	-7.0	-7.0	0	-14.0	-13.3	0						
Q3	0	0	14.8	-7.0	-7.8	-13.8	-14.0	-15.0							

NO.	OFF					TREBLE FAST					TREBLE SLOW				
	E	B	C	E	B	C	E	B	C	E	B	C	E	B	C
Q9	-16.0	-16.0	0	-11	-10	-10	-13	-12	0						
Q10	-16.0	-16.0	0	-12	-12	0	-13	-11	-11						



NOTE: .5 VOLTAGE DIFFERENCE BETWEEN BASE AND EMITTER OF Q13,14,17,18

300KΩ
TYP. FOR S 22,23,24 AND P 22,23,24

0.23, 24, 25
MSPS 4362